

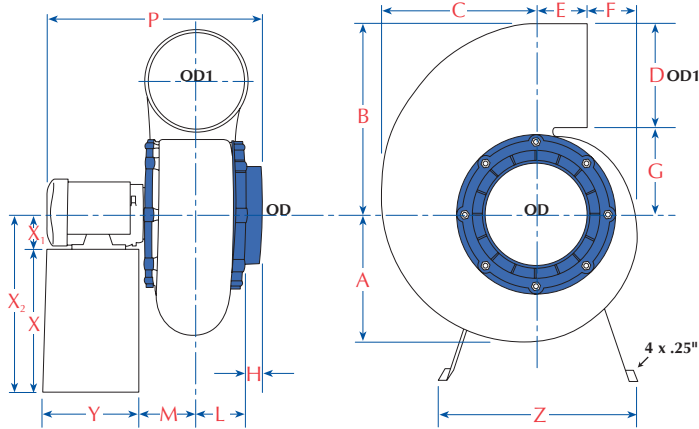
# AirClean® Systems

"THE FUME CONTROL EXPERTS"

## Performance & Dimensions

### VSB 30 Blower

#### VSB 30

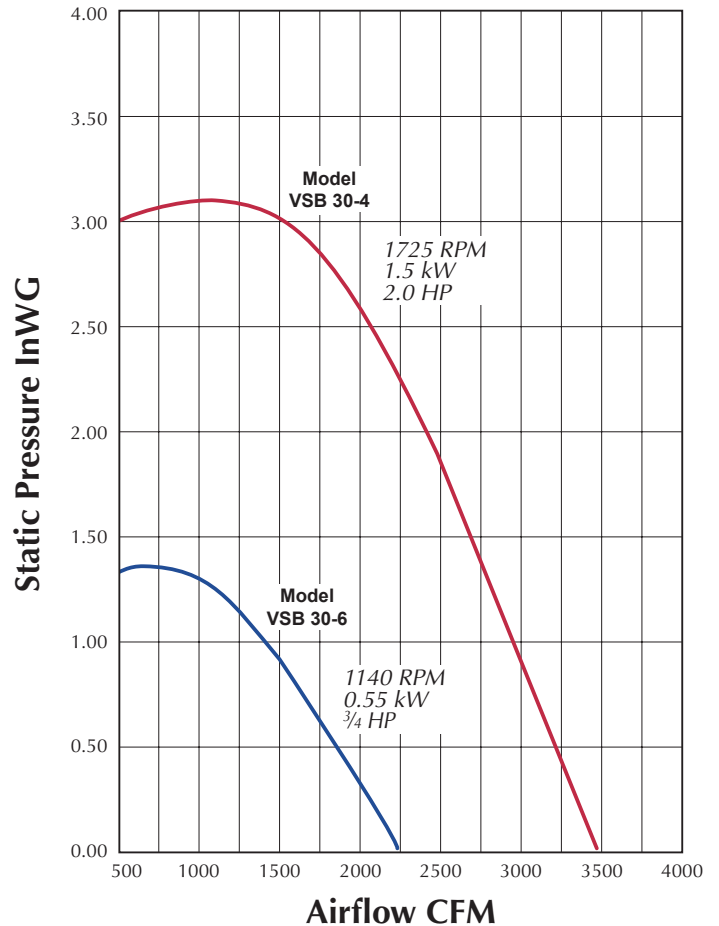


#### Dimensional Data

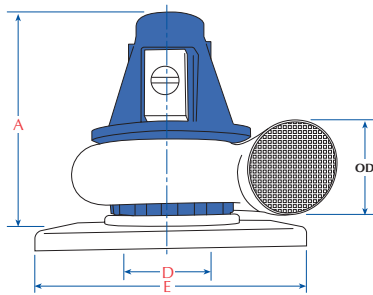
A	12.00	F	4.48	P	16.25	
B	18.00	G	7.92	Y	6.00	
C	14.92	H	1.40	Z	11.50	
D	9.84	D1	10.75	L	4.40	
E	4.68	M	4.80	X <sub>1</sub>	3.50	
All dimensions in inches					X <sub>2</sub>	23.25

Wheel Diameter 11.81"

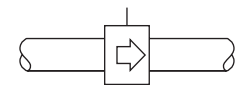
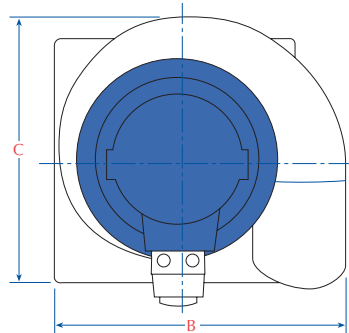
Dimensions for P, X<sub>1</sub>, and X<sub>2</sub> will vary depending upon motor selection.



#### Dimensional Data Roof Unit



A	24.00
B	30.00
C	26.00
D	10.00
E	21.90 x 21.90 (inside)
All dimensions in inches	



Noise Level  
(Ducted inlet/outlet)  
Measured at 5 feet.

R.P.M.	LWA dB (A)
1150	44
1725	54